

STAGEMASTER

Product Description

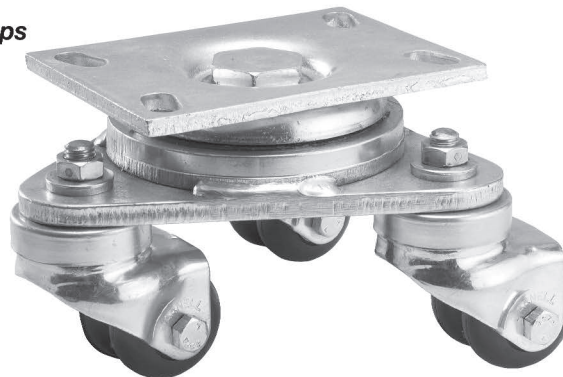
Primarily used in the theatrical and movie making industry for moving scenery, props and stage equipment. StageMaster incorporates three swiveling casters attached to a heavy-duty swiveling platform base that easily mounts to the item to be moved. The swiveling action of the casters combined with the swiveling action of the platform base allows the operator to easily maneuver heavy, awkward devices in tight quarters with relative ease.

Typical Uses Include:

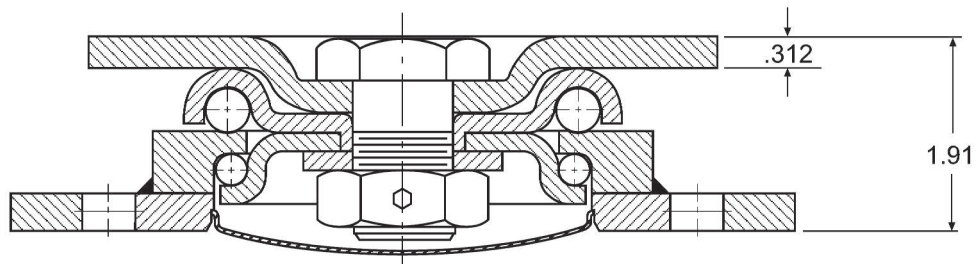
- Props
- Scenery
- Cameras
- Lighting Equipment
- Sound Equipment
- Road Boxes and Cases
- Signs
- Backdrops

Quality Features

- **SINGLE OR DUAL-WHEEL CASTER DESIGN**
Choose dual-wheel caster version with 2" or 2-1/2" diameter wheels or single-wheel caster version with 2-1/2" or 3" diameter wheel.
- **FOUR-SIDED, DOUBLE BALL RACEWAY.**
Hardened steel ball bearings in the load bearing and secondary thrust bearing touch the swivel raceway "on all four sides." This protects the central king pin from shock loading for free swiveling under heavy loads.
- **HEAT-TREATED MOVING PARTS.**
All moving parts are heat treated to a precise molecular depth and Rockwell hardness. This extends StageMaster life under rugged conditions and shock loads.
- **RACEWAY DUST CAPS ON CASTERS / UNDERBODY SEAL ON PLATFORM BASE.**
Dust caps and underbody seal protects raceways from contamination by dust, dirt, moisture and other debris.
- **THREAD GUARDS.**
Single-wheel versions only. Keeps unwanted materials out of wheel bearings thus increasing the life of the StageMaster assembly.



FOUR SIDED DOUBLE BALL BEARING RACEWAY



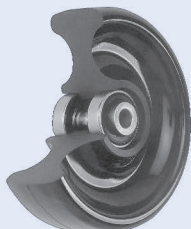
Options

- Increased Capacities
- Black Oxide Finish
- Wheel Brakes
(consult factory)
- Wheel Materials & Diameters

Wheel Selection

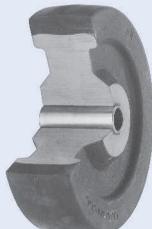
ADVANCED ELASTOMER

PAGE 82



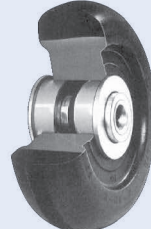
NEOPRENE

PAGE 84



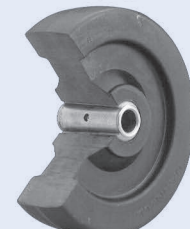
EXTRA-SOFT NEOPRENE

PAGE 90



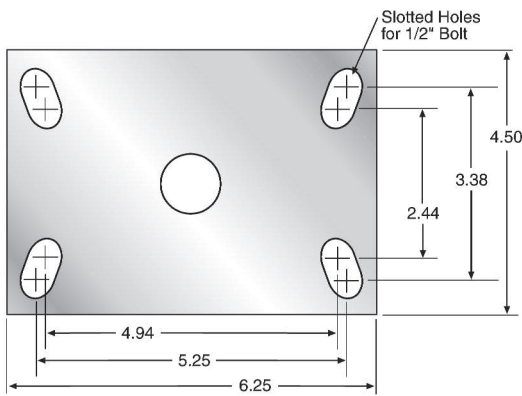
HARD RUBBER

PAGE 88

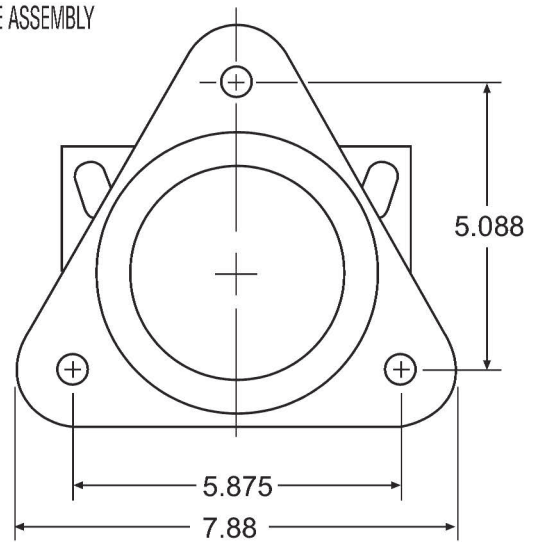


TOP PLATE

STANDARD



PLATFORM BASE ASSEMBLY



Diameter	Tread Width	Load Capacity	Wheel Material	Wheels Per Caster	Bearing Type	StageMaster Part Number	Approx. Weight	Overall Height
—	—	1800	N/A	0	N/A	StageMaster-600-6 (no casters)	8 lbs.	1½"
2	7/8"	750	Neoprene Rubber (donut)	2	Ball	StageMaster-600-32-XDN-RD	13½ lbs.	5"
		750	Neoprene Rubber	2	Ball	StageMaster-600-32-XDN	13½ lbs.	5"
		900	Hard Rubber	2	Ball	StageMaster-600-32-XH	13½ lbs.	5"
		1200	Advanced Elastomer	2	Ball	StageMaster-600-32-XAE	13½ lbs.	5"
2½	7/8"	750	Neoprene Rubber (donut)	2	Ball	StageMaster-600-32-1/2-XDN-RD	14 lbs.	5½"
		750	Neoprene Rubber	2	Ball	StageMaster-600-32-1/2-XDN	14 lbs.	5½"
		1050	Hard Rubber	2	Ball	StageMaster-600-32-1/2-XH	14 lbs.	5½"
	1¼"	1200	Advanced Elastomer	1	Ball	StageMaster-600-62-1/2-XAE	12½ lbs.	5½"
3	2	1800	Advanced Elastomer	1	Precision Ball	StageMaster-600-83-PXAE	20 lbs.	6"

